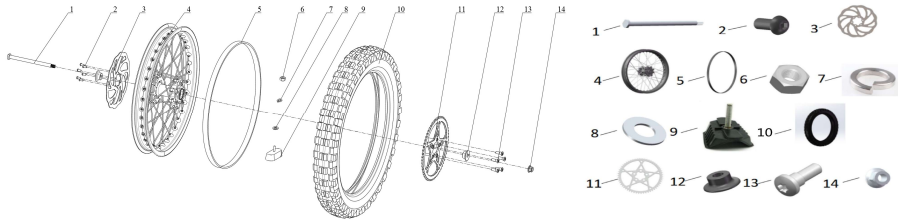


2024 Beta Explorer

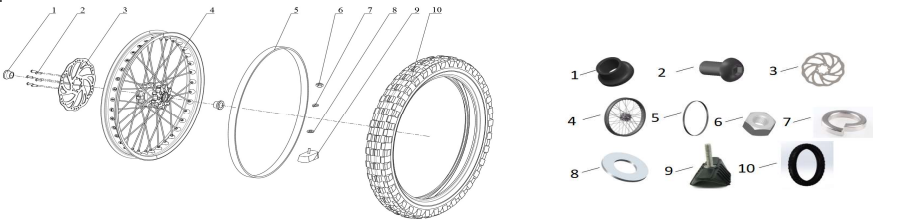


1. Rear Wheel Assy



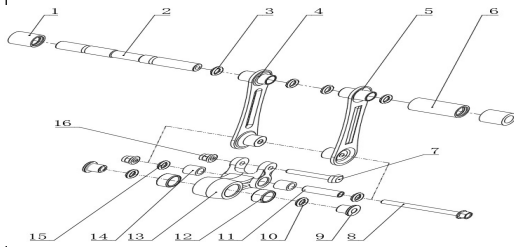
NO.	Part #	Description	Specification	Qty
1	319003014001	Rear Axle_natural zinc-nickel alloy_M12x190mm	M12x190mm_10.9 class	1
2	401016001001	Bolt_black zinc-nickel alloy_M6x12mm	M6x12mm	6
3	309007012001	Brake Disc_natural color_Ø210mm	12Cr13_2.0mm/Ø210mm diameter with AM/LZ logo	1
4	30709003001	Rear Wheel Assy	WM1.85-18_7116 alloy rim_Double valve holes/Ø661Al hub_black	1
5	30709041001	Tape_black_18"x20	Kenda 18"x20	1
6	404001004005	Nut_stainless steel_M8	M8(G8/T 6170)	1
7	405003011007	spring washer_stainless steel_Ø 8	Ø 8(G8/T 93)	1
8	405006047005	Washer_stainless steel_Ø 8x Ø 16x1	Ø 8x Ø 16x1(G8/T 97.1)	1
9	307010101001	Rear wheel anti-skid block	General purpose	1
10	307007289001	Tire & Inner Tube (Include Tape)_black_90/100-18	Kenda K783_90/100-18_off-road	1
11	311027005001	Driven Sprocket_Black_420/58T	420/58T_7075 aluminum alloy	1
12	307042001001	Rear rim side sleeve_Oxidized black_Ø12xØ9.5x1.7mm	Ø12xØ9.5x1.7mm_7075Al-T6	2
13	403030001001	Bolt_natural zinc-nickel alloy_M8x25 step Ø10x8mm	M8x25 step Ø10x8mm (G8/T70.2) 10.9 class	5
14	404005009001	Nut_natural zinc-nickel alloy_M12x1.25	M12x1.25_10 class(G8/T 6187.2)	1

2. Front Wheel Assy



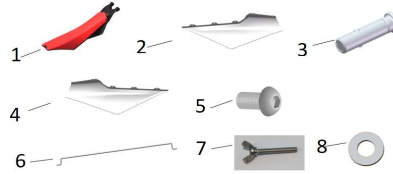
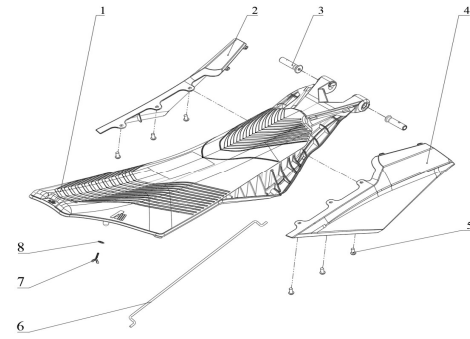
NO.	Part #	Description	Specification	Qty
1	307041001001	Front wheel side sleeve_Ø30xØ35x19mm	Ø30xØ35x19mm_7075Al-T6	2
2	401016001001	Bolt_black zinc-nickel alloy_M6x12mm	M6x12mm_10.9 class_G8/T 2672	6
3	309007012001	Brake Disc_natural color_2.0mm/Ø210mm	12Cr13_2.0mm/Ø210mm diameter with AM/LZ logo	1
4	30709003001	Front Wheel Assy_black rims and hub	WM1.6-18_7116 alloy rim_double valve hole/Ø661Al hub_stainless	1
5	30709041001	Tape_black_18"x20	Kenda 18"x20	1
6	404001004005	Nut_stainless steel_M8	M8(G8/T 6170)	1
7	405003011007	spring washer_stainless steel_Ø 8	Ø 8(G8/T 93)	1
8	405006047005	Washer_stainless steel_Ø 8x Ø 16x1	Ø 8x Ø 16x1(G8/T 97.1)	1
9	307010101001	Front wheel anti-skid block_black	General purpose	1
10	307007290001	Tire & Inner Tube (Include Tape)_black_70/100-19	Kenda K783_70/100-19_off-road	1

3. Linkage



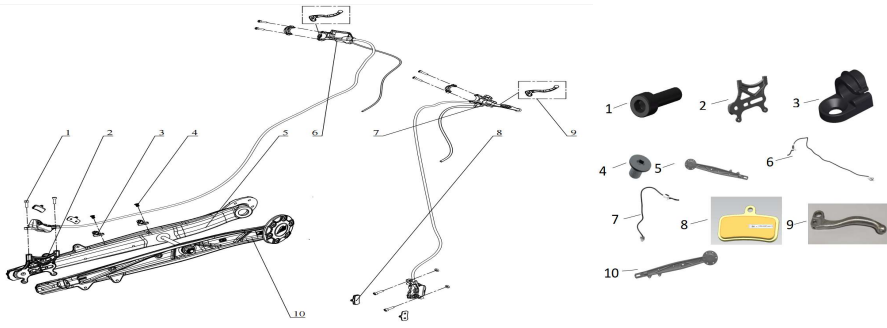
NO.	Part #	Description	Specification	Qty
1	305056001001	rocker arm outer Nylon sleeve_natural color_Ø16xØ26x24.5	PA66_Ø16xØ26x24.5	2
2	603027001001	liner_natural_color_5_BX_Ø 16x150mm	206_Ø 6 BX 16x150mm	1
3	319075004001	O-seal ring_black_Ø14x2.6mm	Ø14x2.6mm GB/T3452.1	4
4	305052002002	rocker arm assy_L_Spray black	Steel, drawing no. -S1021-BE11-212A	1
5	305057001002	rocker arm assy_R_Spray black	Steel, drawing no. -S1021-BE11-212A	1
6	305055001001	Middle Nylon sleeve_natural color_Ø16xØ26x51	PA66_Ø16xØ26x51	1
7	401012001001	T bolt_natural zinc-nickel alloy_M8x1.25x50mm	M8x1.25x50mm_10_Sclass_with glue, Effective tread L=15	1
8	401010004001	Bolt_natural zinc-nickel alloy_M8x1.25x85mm	M8x1.25x85mm_10_9 class_with glue	1
9	603029002002	liner_natural_color_Ø12xØ20x19.5mm	Ø12xØ20x19.5mm_40Cr	2
10	319075002001	O seal ring_black_Ø19x3.55mm	Ø19x3.55mm GB/T3452.1	2
11	603028001001	Middle liner_natural color_42-50HRC	40Cr_42-50HRC	1
12	409090002001	Bearing_natural_color_HK2012	HK2012 GB/T 290	2
13	306008007001	Linkage_black		1
14	409090001001	Bearing_natural_color_HK11214	HK11214 GB/T 290	2
15	319075003001	O seal ring_black_Ø19x3.55mm	Ø19x3.55mm GB/T3452.1	2
16	404030003001	Nut_natural zinc-nickel alloy_M8x1.25	M8x1.25_10 class	2

4. Seat



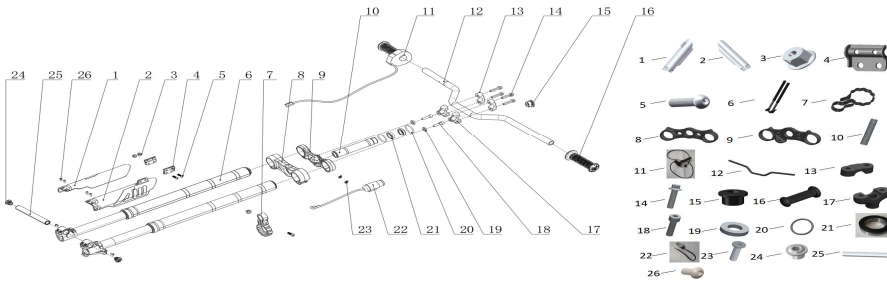
NO.	Part #	Description	Specification	Qty
1	313020006001	Seat assy	Cushion foam_black with logo	1
2	304114003005	Left middle side cover_red_Thickness:2.5mm_size:368x174x74	Thickness : 2.5mm Material: K8003 size: 368x174x74	1
3	602003053003	Fix pin_black_outer diameter 12mm	Straight pin_black_outer diameter 12mm Ball lock	2
4	304115003005	Right middle side cover_white_Thickness:2.5mm_size:368x174x74	Thickness : 2.5mm Material: K8003 size: 368x174x74	1
5	40304030001	Screw_natural zinc-nickel alloy_M6x12	M6x12_GB/T 70.2	1
6	303237001001	Seat stand bar_stainless steel_diameter 4mm_L=382mm	stainless steel_diameter 4mm_L=382mm	1
7	401015002001	Buttery bolt_stainless steel_M6x30	M6x25_stainless steel	1
8	405006063001	Washer_natural zinc-nickel alloy_g6	Ø6 GB/T97.1	1

5. Brake assy



NO.	Part #	Description	Specification	Qty
1	401017001001	Bolt_M6x18.5mm_with washer	M6x18.5mm_with washer_10.9 class_GB/T 70.1	2
2	308057001001	Rear brake bracket_oxidized black	6061AL_T6_903-012	1
3	318001002002	Clip_black	APOLLO_material ABS_37-5	2
4	403001009001	Screw_M6x10mm	M6x10mm_8.8 (GB/T70.3)	2
5	306037004001	Swing arm left_oxidized black	Figure No.:3701A-BE11-121T	1
6	308058008001	Front Brake Assy_black	893_switch line 490mm diameter 7.5mm tubing 1375mm/ right f / right pump body black/oil cup cover black/main pump seat black	1
6-1	308026007001	Front brake pump R_pump body black/oil cup cover black/main pump seat black,without brake lever and switch line	1100mm	1
6-2	308086131001	Front brake fuel cable_1100mm	1100mm	1
6-3	308007017001	Front brake caliper_893 increased sintered friction plate (with disc brake disc and disc brake mounting bolt)	plug red /891 extra sintered friction plate / (with disc brake disc a 490mm	1
6-4	315087002001	switching line_490mm	893_switch line 490mm diameter 7.5mm tubing 1375mm/ left ps	1
7	308059008001	Rear brake Assy_black	Left pump body black/oil cup cover black/main pump seat black/w	1
7-1	308000001001	Rear brake pump L_pump body black/oil cup cover black/main pump seat black,without brake lever and switch line	1375mm	1
7-2	308006131001	Rear Brake fuel cable_1375mm	plug red /891 extra sintered friction plate	1
7-3	308007121001	Rear Brake Caliper	893 bigger sintering brake pad	1
8	308060002001	Brake pad_natural color_891 bigger sintering brake pad	match 893 pump_ADC12_Ball diameter14mm_L=103mm	2
9	310005012001	Brake lever_black_Ball diameter14mm_L=103mm		1
10	306037006001	Swing arm right_oxidized black		1

6. Handlebar / Fork

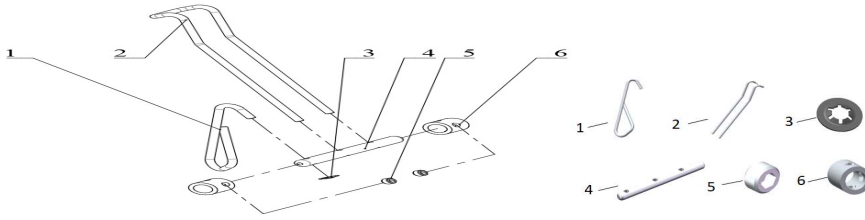


NO.	Part #	Description	Specification	Qty
1	304120002005	Right cover of front fork_red_thickness : 2.5mm	thickness : 2.5mm , material:K8003	1
2	304110002005	Left cover of front fork_red_thickness : 2.5mm	thickness : 2.5mm , material:K8003	1
3	404000001001	Nut_natural zinc-nickel alloy_M6	M6_GB/T 6170.1-2000	3
4	603001115002	Pipe support_stainless steel_1.2mm	304 stainless steel_1.2mm	2
5	403004037001	Screw_natural zinc-nickel alloy_M6x20	M6x20_GB/T 70.2	3
6	309053003001	Front fork_black_Outer diameter 45mm, travel 200mm, adjustable	Outer diameter 45mm, travel 200mm, adjustable	1set
6	318100001001	Pipe support_black	PP-K8003	1
8 & 10	310144001001	Steering stem with bottom triple clamp	steering stem connect bottom triple clamp, include 4pcs bolts M6	1
9	310021034001	Top triple clamp_oxidized black_Center distance 151mm,match with 45mm front fork	Center distance 151mm,match with 45mm front fork_6061AL v	1
11	315037059001	Electronic throttle_black_SV electronic signal hall throttle, mounting hole diameter 22, three holes wareproof plug, with right grip	SV electronic signal hall throttle, mounting hole diameter 22, th	1
12	310001149001	Handle bar_Ø22x760mm	Ø22x760mmTC_6061AL Left knurled	1
13	310133007001	Handlebar holder upper_oxidized black	6061AL_match Ø22mm handlebar	2
14	401006009001	Bolt_natural zinc-nickel alloy_M6x6.25x5.5	M6x6.25x5.5_10.9 class_with glue_GB/T16674.1-2006	4
15	310978001001	Plug,Steering stem_oxidized black_Ø32x20_M24x1.0	6061AL_Ø32x20_M24x1.0	1
16	310057147001	Left grip_black	with AM and boom LOGO PVC	1
17	310114007001	Handlebar holder LOWER_match Ø22mm handlebar	6061AL_match Ø22mm handlebar_Ø10.5通孔	2
18	401006007001	Bolt_natural zinc-nickel alloy_M10xL5x3.5	M10xL5x3.5_10.9class_GB/T 70.1_头部光滑_with glue	2
19	310143002001	bush_black_Ø20mmxØ10.5mm	6061AL_Ø20mmxØ10.5mm_4_oxidized scrub black	2
20	313034009001	O seal ring_black_38x4.0	38x4.0 GB/T3452.1	2
21	409010100101	Bearing_natural color_Tapered roller bearing 48X30X12	Tapered roller bearing 48X30X12 GB/T 297	2
22	318102001001	Main Lock_black_Lock tongue extended length 14mm	Lock tongue extended length 14mm	1
23	403001010001	Screw_natural zinc-nickel alloy_M5X16	M5X16_10.9 class_with glue	2
24	319079002001	Front axle screw plug_M16x1.5x18mm	BE11车型_M16x1.5x18mm_内六角孔15x4mm	1
25	307027006001	Front axle_Ø20x167mm	BE11车型_Ø20x167mm_7075AL	1
26	403004039001	Screw_natural zinc-nickel alloy_M5X10	M5X10_GB/T 70.2	6

Fork Seals & Bushings (Not Pictured Above)

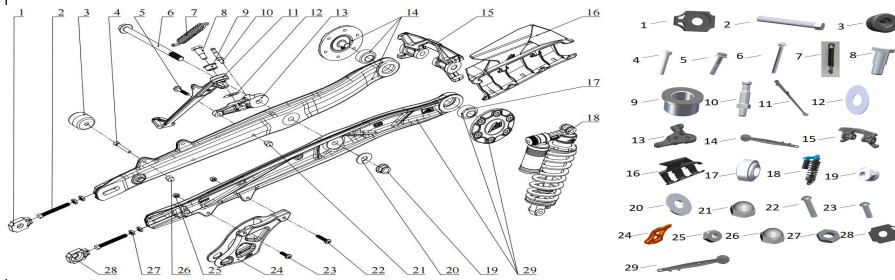
319018031001	Explorer Fork Dust Seal (ea)
319083002001	Explorer Fork Oil Seal (ea)
306040001001	Explorer Fork Guide Bushing (ea)
306040002001	Explorer Fork Slide Bushing (ea)

7. Battery Mounting



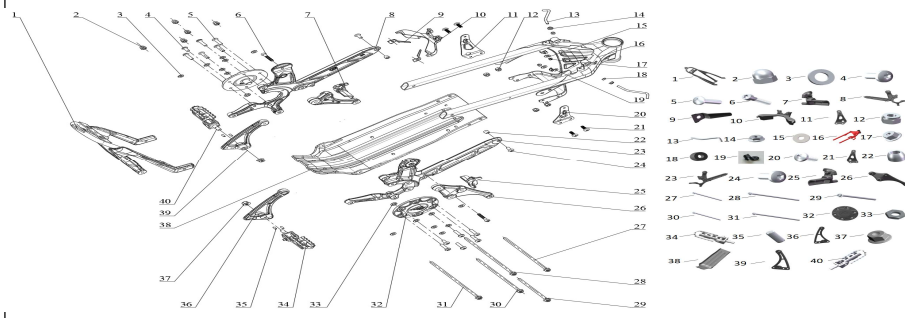
NO.	Part #	Description	Specification	Qty
1	319073001001	Lock torsional spring_05	65Mn/05	1
2	319072001001	Battery fixing torsion spring_05x391mm	65Mn/05x391mm	1
3	410001003001	Spring card (bearing clamp)_05x12	65Mn_05x12	1
4	609092001001	Torsional spring shaft_20#	20#	1
5	403028001001	Screw_M6x5	G8/T 77 M6x5	2
6	609091001001	Torsional spring bushing_20#	20#	2

8. Swing Arm Assy



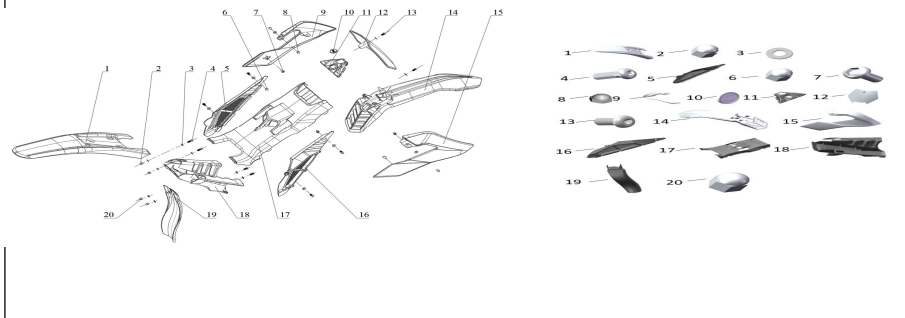
NO.	Part #	Description	Specification	Qty
1	31110001001	Left chain adjuster_oxidized black_φ 12.5mm-L 43mmx W 32.5mmx H 10mm	Alloy_φ 12.5mm-L 43mmx W 32.5mmx H 10mm_T slot with gradi	1
2	401003017001	Bolt_natural zinc-nickel alloy_M8x60x1.25	M8x60x1.25_8.8 class_Full thread =10(G8/T 5789)	2
3	301115005001	Side stand hinge seat_black_06x025x20mm	06x025x20mm_NBR_T5 05180	1
4	401006010001	Bolt_natural zinc-nickel alloy_M6x25mm	M6x25mm_8.8 class_G8/T 70.1	1
5	401009005001	Bolt_natural zinc-nickel alloy_M6x28mm	M6x28_8.8 class_G8 5789	1
6	401009004001	Bolt_natural zinc-nickel alloy_M12x1.25x175mm	M12x1.25x175mm_10.9 class_G8/T 5789_with glue effective three	1
7	3012390001001	Double tension spring_glossy chrome plating_outer diameter 16mm, line diameter 2.5mm, cycles n=15	outer diameter 16mm, line diameter 2.5mm, cycles n=15	1
8	40329004001	Bolt_natural zinc-nickel alloy_M10x1.25x30mm	M10x1.25x30mm_(带φ12x16mm台阶) 8.8级_喷珠耐滑	1
9	319001303001	Side stand bushing_φ 12x φ 20x12mm	φ 12x φ 20x12mm_304 stainless steel	1
10	608003010002	Tension spring retaining pin_stainless steel_M6x08 (s=10)	M6x08 (s=10)_304 stainless steel	1
11	303012260001	Side stand_oxidized black	6082AL	1
12	405006064001	Washer_φ12x0.30x0.5mm	φ12x0.30x0.5mm_304 stainless steel	1
13	3012380001001	Side stand fixed seat_oxidized black	6082AL	1
14	306037004001	Swing arm left_oxidized black	Figure No.:5701A-BE11-2127	1
15	603001165001	Swing arm reinforcement_oxidized black	6082AL_φ12安装孔	1
16	304034021001	Rear fork cover_black_thickness : 6mm/weight : 202g ; material: TPU; size : 221*141*55	thickness : 6mm/weight : 202g ; material: TPU; size : 221*141*55	1
17	4090500001001	Bearing_GES17C	GES17C	2
18	305054002001	Rear shock absorber assy_total length of three K values is 240mm/travel 74mm	The total length of three K values is 240mm/travel 74mm	1
19	404005009001	Nut_natural zinc-nickel alloy_M12x1.25	M12x1.25_10.9(G8/T 6187.2)	1
20	319077002001	Washer_natural zinc-nickel alloy_12x0x2	12x0x2	1
21	40428003001	Cover Nut_TriValent color_M6	M6	1
22	403004041001	screw_natural zinc-nickel alloy_M6X3D	M6X3D_8.8 class_with glue	1
23	403004040001	screw_natural zinc-nickel alloy_M6X2D	M6X2D_8.8 class_with glue	1
24	301062003002	Chain guide_black	NyOne PA6	1
25	404027001001	Nut_stainless steel_M6	M6 G8/T6184	2
26	404030030001	Cover Nut_TriValent color_M6	M6	1
27	404003008001	Nut_natural zinc-nickel alloy_M8x1.25	M8x1.25 M8_s=12mm (not standard)	4
28	311101001001	Right chain adjuster_oxidized black_Alloy_φ 12.5mm-L 43mmx W 32.5mmx H 10mm_T slot with graduated	Alloy_φ 12.5mm-L 43mmx W 32.5mmx H 10mm_T slot with gradi	1
29	306037006001	Swing arm right_oxidized black	Figure No.:5701A-BE11-2127	1

9. Frame



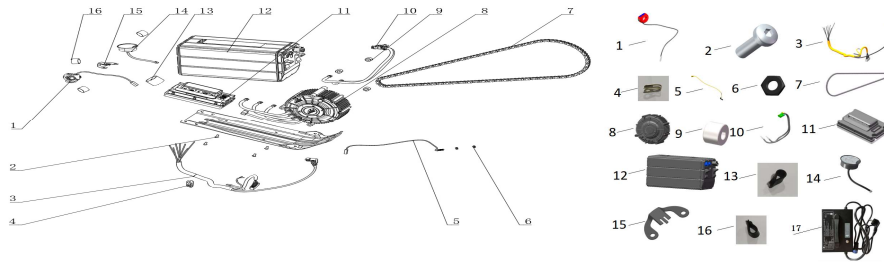
NO.	Part #	Description	Specification	Qty
1	60602002001	Sub-frame_left & right 6082AL/Rear bending beam of subframe_6061AL/Seat mounting plate_6061AL_TX-55	Sub-frame left & right 6082AL/Rear bending beam of subframe_6061AL_TX-55	1
2	40402002001	Cover Nut_M8x1.25	MBX1.25_stainless steel GB/T 933-1988	5
3	31907001001	Washer_Φ8xΦ16x2	Φ8xΦ16x2(GB/T 97.1)	14
4	40309002001	Screw_M8x1.25x16mm	M8x1.25x16mm-F_10.9 class_GB/T 2672_with glue	2
5	40309001001	Screw_M8x1.25x30mm	MBX1.25x30mm-F_10.9 class_with glue, effective thread length 25	10
6	40106000001	Bolt_M8x1.25x40mm	MBX1.25x40mm_10.9 class_GB/T 10.1_with glue, effective thread	2
7	60300113001	Left motor holder_TX-553-008	_6082AL_TX-553-008	1
8	601001479001	Left motor holder_TX-553-002	_6082AL_TX-553-002	1
9	600904001002	rubber flange plate_1.5mm	_cable reduced sheet 1.5mm(Q235)	2
10	31907001001	Rubber buffer	_Rubber	1
11	601001507005	Frame reinforcement plate-left_2.5mm	2.5mm_304 stainless steel	1
12	40402001001	Nut_M8x1.25	MBX1.25_10 class(GB/T 6184)	4
13	601001420004	Front side fixing bracket_6MM	304不锈钢_6MMx11x12	2
14	404025001001	Nut_M6	M6_GB/T 6177.1	2
15	405010001001	Washer_Φ6xΦ10x2	Φ6xΦ10x2	2
16	303001457001	Frame_24° degree	24° degree	1
17	40402003001	Nut_M6	M6_GB/T 6187.1_2000	2
18	31901691001	Rubber washer_Φ4.5xΦ10mm	复合橡胶垫片(FR)规格:312004001001_Φ4.5xΦ10mm(1m)	2
19	318001001002	Rear brake oil pipe buckle_black_Φ10mm,W:23.5mm,Φ6.2mm	磁环_Φ10mm_宽23.5mm_厚度6.2mm	1
20	601001507006	Frame reinforcement plate-right_2.5mm	2.5mm_304 stainless steel	1
21	40309003001	Screw_M8x1.25x20mm	MBX1.25x20mm-F_10.9 class_GB/T 2672_with glue	4
22	40402001001	Tapered Nut_M8	M8 taper diameter Φ12_stainless steel	2
23	601001480002	Right motor holder_TX-553-003	_6082AL_TX-553-003	1
24	40309005001	Screw_M8x1.25x18mm	M8x1.25x18mm-F_10.9 class_GB/T 2672_with glue	2
25	603001134001	Right battery holder_TX-553-009	_6082AL_TX-553-009	1
26	30300113001	Shock absorber for holder_TX-553-004	_6082AL_TX-553-004	2
27	401010001001	Bolt_M8x1.25x205mm	MBX1.25x205mm-F_10.9 class_with glue, effective thread length 1	1
28	401010001001	Bolt_M8x1.25x230mm	MBX1.25x230mm-F_10.9 class_with glue, effective thread length 1	1
29	401010001001	Bolt_M8x1.25x150mm	MBX1.25x150mm-F_10.9 class_with glue, effective thread length 1	1
30	401010001001	Bolt_M8x1.25x205mm	MBX1.25x205mm-F_10.9 class_with glue, effective thread length 1	1
31	401010001001	Bolt_M8x1.25x230mm	MBX1.25x230mm-F_10.9 class_with glue, effective thread length 1	1
32	601001478001	Rear swing arm for holder_TX-553-001	_6082AL_TX-553-001	2
33	40402008001	Nut_M8x1.25	MBX1.25 M8	2
34	606009010001	Footrest assy_Right	_201 stainless steel 3.0mm/Foot seat_45#	1
35	40708005001	Pin_Φ5x16x2mm	304 material, drawing surface, Laser marking and engraving	4
36	606010006003	Footrest bracket_right	T16	1
37	40405008001	Nut_M10x1.25	M10x1.25_10 class(GB/T 6187.2)	2
38	60908002006	Motor guard_Alloy plate 4.0mm	_Alloy plate 4.0mm/6061AL	1
39	606010001001	Footrest bracket_left	T16	1
40	60600901001	Footrest assy_Left	_201 stainless steel 3.0mm/Foot seat_45#	1

10. Bodywork



NO.	Part #	Description	Specification	Qty
1	30409020005	Front of rear fender_red	Thickness:3mm Material:XB003 Size:502x178x75	1
2	404028002001	Screw_stainless steel_M6	M6_GB/T 933-1988	2
3	40505005001	Washer_natural zinc-nickel alloy_Φ6	Φ6_GB/T 97.1	16
4	40300438001	Screw_natural zinc-nickel alloy_M6x16	MBX16_GB/T 70.2	2
5	304112001001	Left cover of controller_black_Thickness:2.5mm_size:383x97x37	Thickness:2.5mm Material:PP-GF20_Size:383x97x37	1
6	404028002001	Cover Nut_stainless steel_M6	M6_GB/T 933-1988	2
7	403005120001	Cover Nut_stainless steel_M6x12	M6*12(GB/T 976.1)	2
8	404028003001	Cover Nut_Tri-valent color_M6	M6	2
9	304020203005	Front & left cover_red	Thickness:2.5mm Material:XB003 Size:369x216x87	1
10	318100030001	Switch button cover_natural color_drawing surface. Laser marking and engraving	304 material, drawing surface, Laser marking and engraving	1
11	304118001001	Switch button upper cover_black_Thickness:2.5mm Material:PP-GF20 size:142x95x38	Thickness:2.5mm Material:PP-GF20 size:142x95x38	1
12	304013028005	Number_plate_red_Thickness:2.5mm Material:XB003 Size:217x213x51	Thickness:2.5mm Material:XB003 Size:217x213x51	1
13	403090400001	Screw_natural zinc-nickel alloy_M6x12	MBX12_GB/T 70.2	10
14	404015024005	Front fender_red_Thickness:2.5mm_size:508x136x236	Thickness:2.5mm Material:XB003 尺寸:508x136x236	1
15	301056004005	Front & right cover_red_Thickness:2.5mm_size:369x216x87	Thickness:2.5mm Material:XB003 尺寸:369x216x87	1
16	304113001001	Right cover of controller_black_Thickness:2.5mm_size:383x97x37	Thickness:2.5mm Material:PP-GF20_尺寸:383x97x37	1
17	304115001001	Battery cover_black_Thickness:2.5mm_size:436x120x43	Thickness:2.5mm material:TX05_尺寸:436x120x43	1
18	304117001001	Storage box_black_Thickness:2.5mm_size:270x184x102	尺寸:厚度:2.5mm Material:PP-GF20_尺寸:270x184x102	1
19	304018015001	Rear fender_black_Thickness:2.5mm_size:303x91x45	Thickness:2.5mm material:low density polyethylene (LDPE) 尺寸:303x91x45	1
20	404028003001	Cover Nut_stainless steel_M6	M6_GB/T 933-1988	2

11. Electrical System



NO.	Part #	Description	Specification	Usage qty/bike
1	315090001003	Switch Button_black	Silicone three-button (customized logo) four-core wire waterproof	1
2	401080001001	Bolt_stainless_steel_M6X14	M6X14_stainless_steel_GB/T2672 (with glue)	4
3	315134000001	Harness assy_black_Waterproof connector is standard AVSS wire	Waterproof connector is standard AVSS wire	1
4	609990001001	Wire_cig_2#60	S2321245-0190-022950	1
5	315280001001	Side stand switch_black_rated voltage : 12V DC, side stand open or not signal output	rated voltage : 12V DC, side stand open or not signal output	1
6	404032001001	Nut_M8	M8_GB/T 6172.1-2016	2
7	312011278001	Chain_goiden_420DX/124 link	420DX/124 link	1
8	315031041001	Motor_iron_gray_Rated power : 5KW, rated torque : 21.7N.m, output sprocket : 420-11T, rated voltage : 72V, rated speed : 2200rpm,	Rated power : 5KW, rated torque : 21.7N.m, output sprocket	1
9	609093001001	Motor spacer_natural zinc-nickel alloy_Ø8xØ20x14.5mm	_Ø8xØ20x14.5mm_0235	3
10	315147001001	DC output line_orange_Waterproof connector 6AWG silicone high temperature resistant wire	Waterproof connector 6AWG silicone high temperature resistant	1
11	315021388001	Controller_black_72V 5000W brushless with CAN Bus communication function	72V 5000W brushless with CAN Bus communication function	1
12	315006029001	Battery_black aluminum barrel surface anodized, dark gray end cap_74V 35AH, with CAN communication, LG21700 5000mah cells, handle mm	74V 35AH, with CAN communication, LG21700 5000mah cells, handle mm	1
13	318027000001	bandage_38_black_S2221360-0030	S2221360-0032	3
14	317001700001	Display_Shell_dark gray	Display_Shell_dark gray	1
15	601019007008	Display Bracket_Spray matte black_1.5mm thickness	1.5mmthickness, 65MM matt black	1
16	318027004001	bandage_48_black_S2221360-0030	S2221360-0030	3
17	315034051003	Charger_black_SPC-1000WW-Ø40100-PP-E_Europe AC 3 plug	SPC-1000WW-Ø40100-PP-E_Europe AC 3 plug	1